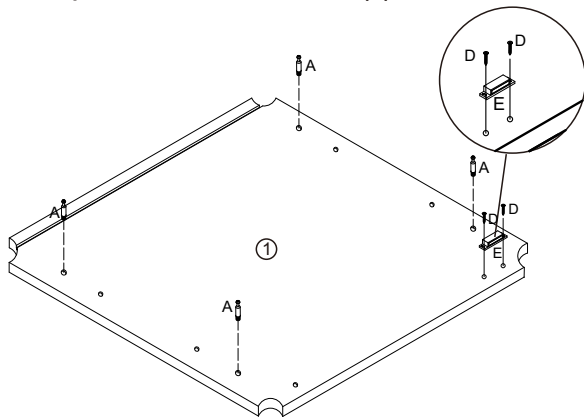
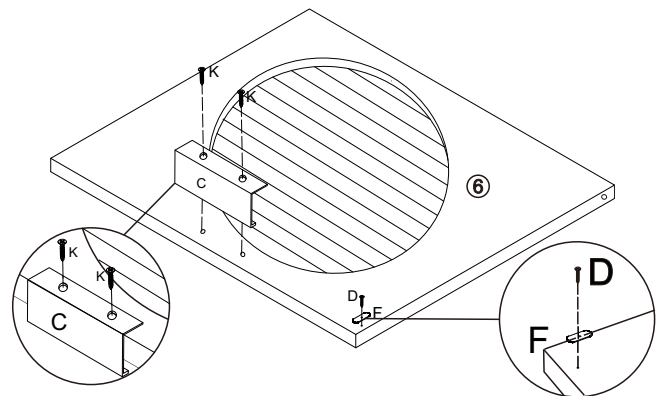


A		4 PCS	L		4 PCS
B		4 PCS	M		4 PCS
C		1 PCS			
D		7 PCS			
E		1 PCS			
F		1 PCS			
G		2 PCS			
H		4 PCS			
I		8 PCS			
J		4 PCS			
K		2 PCS			

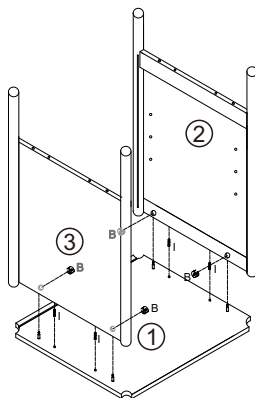
- 1** On piece 1, secure the catch (E) using screws (D). Use the pre-drilled holes for guidance. On piece 1, secure the cam bolt (A) as shown.



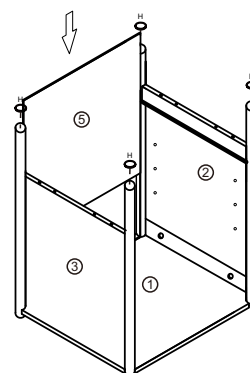
- 2** Attach the plates (F) using screws (D), attach the door handles (C) using screws (K).



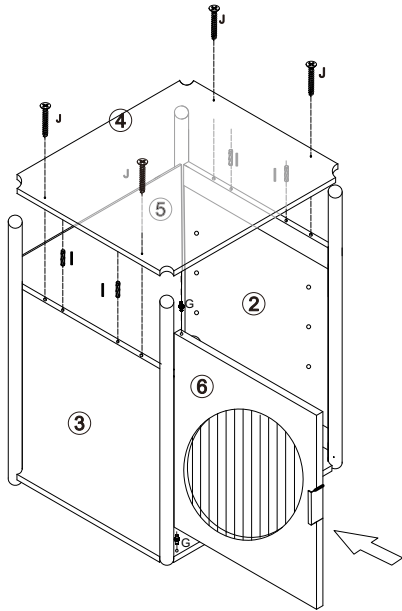
- 3** Attach piece 2 & 3 to piece 1 using wooden dowels (I) and cam locks (B).



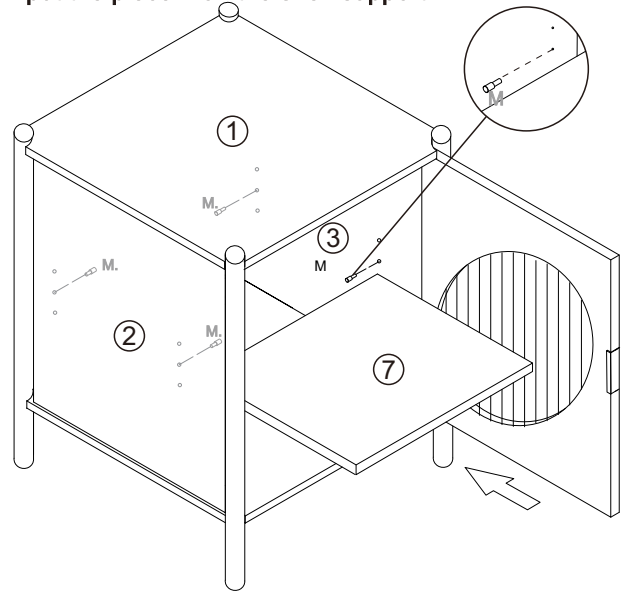
- 4** Slot piece 5 into the ridges. Put Caps (H) on the leg.



5 Attach piece 4 to the unit using wooden dowels (I) & screws (J). Connect door 6 using bar hinges (G).



6 Turn the unit the right way up, Put shelf support (M) into the hole on piece 2 & 3, put the piece 7 on the shelf support.



7 Put the plastic corner support (H) on the backboard 5 using screws (D).
The unit should now be assembled and ready to use.

